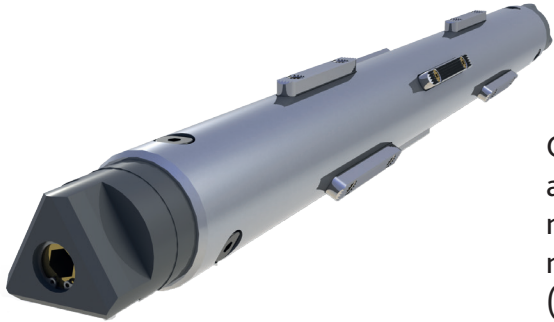


MECA Type MECHANICAL SHAFT

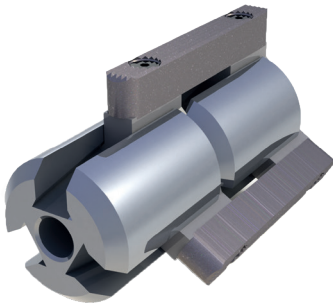


Made to measure, our shafts allow a good adequacy between our product and your needs.

Our technicians privilege the constraints such as torque, load and speed in order to better meet your requirements: web material and thickness, web tension, maximum web speed, max. and min. roll weights and widths, roll outer diameter (o.d.), core inner diameter (i.d.), bearing centres, etc.

Benefits:

- Robust and powerful
- Simple with no maintenance
- Able to handle one or more varying-width reels
- Outstanding concentricity for high-speed winding applications
- Large range of functions but mainly designed for machines without air-supply
- Outstanding torque diffusion according to operator's tightening
- Very useful in vacuum like conditions and/or for long-lasting operations



Features:

- Made-to-measure design for core diameters of 70 & 76 mm
- Steel body with short expanding lugs in steel

Options:

- Cantilevered model, type «1/2 MECA», with flanged and / or shaft-ended journal

www.airmat.com

France
AIRMAT Technology
Rue de l'Abbé Jerzy Popiełuszko
BP 219
F 62304 LENS Cedex
T. +33 (0)3 21 79 31 20
airmat@airmat.com

Deutschland
AIRMAT Wickeltechnik
Sundheimer Feld, 2
Postfach 2045
D 77694 KEHL/RHEIN
T. +49 (0)7851 89 886-0
info@airmat.de

Polska
AIRMAT Polska
Ul. Beskidzka 5
PL 32-590 LIBIAŹ
T. +48 32 627 39 25
biuro@airmatpolska.eu